



Baltimore

MODEL HIGHLIGHTS:

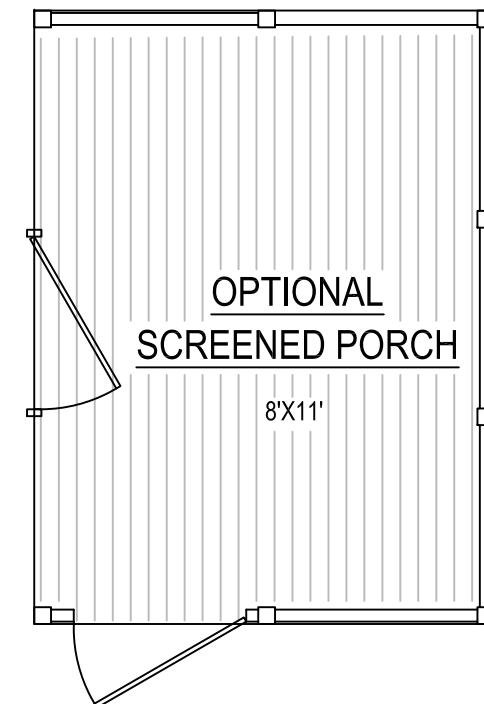
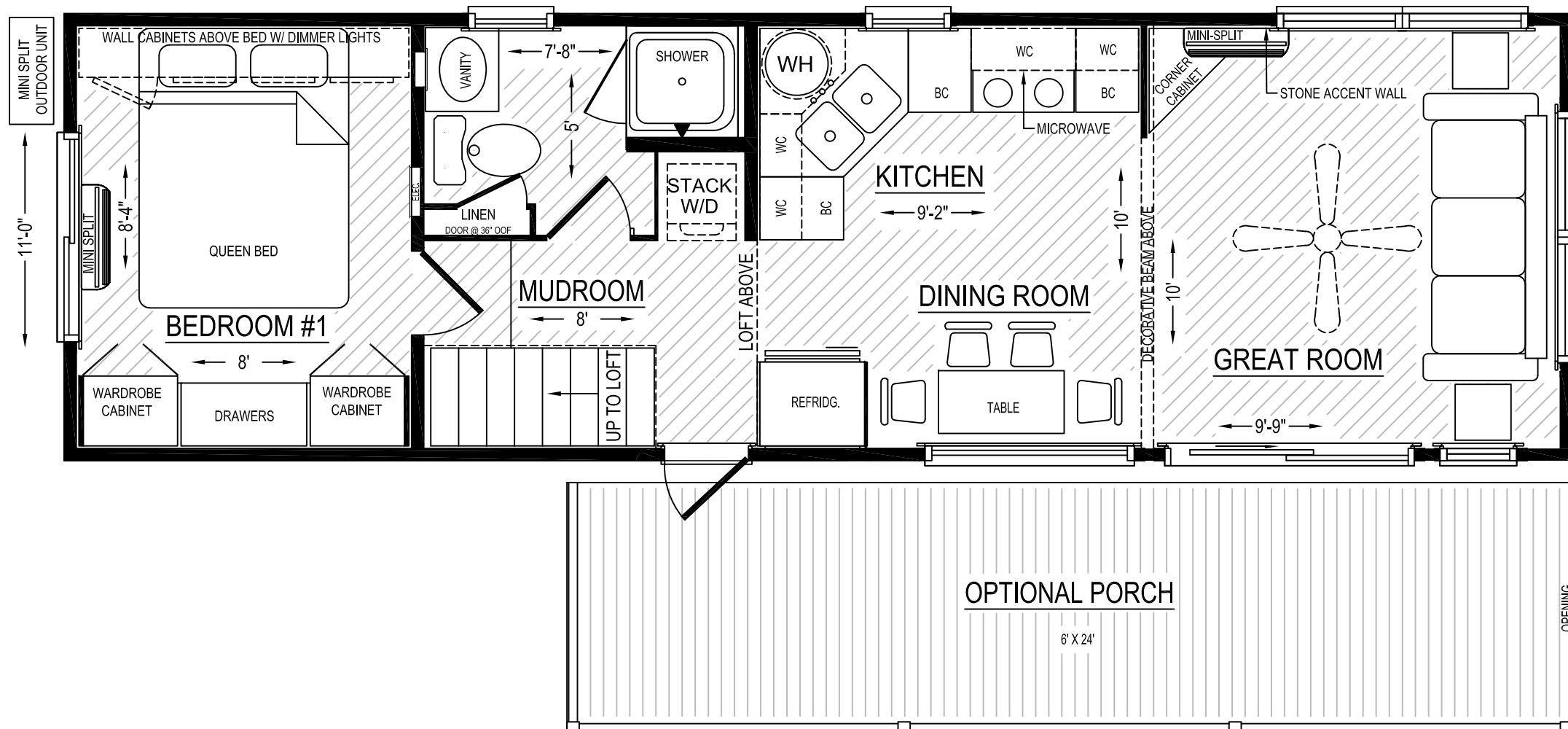
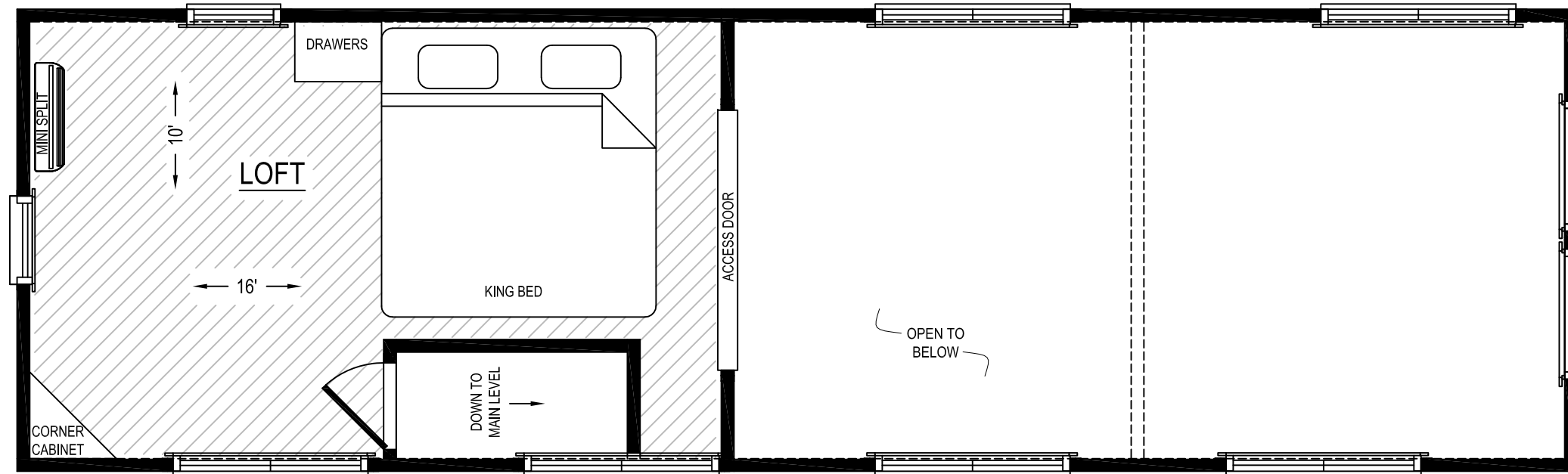
- FARMHOUSE CHARM
- SPACIOUS CEILINGS
- NATURAL LIGHT
- ROOMY LOFT

SQUARE FOOTAGE:

- TOTAL : 575 SQFT
- MAIN LEVEL : 399 SQFT
- LOFT : 176 SQFT
- DECK OPTIONS : UP TO 672 SQFT

DESIGN OPTIONS:

- INTERIOR WALL PARTITIONS (NON-LOAD BEARING AND NON-BRACED) MAY BE DELETED FROM THE PLAN.
- KITCHEN & BATH ROOM CABINETS MAY BE OMITTED.
- WINDOWS AND DOORS MAY BE OMITTED EXCEPT AS REQUIRED BY CODE.
- FRONT DOOR CAN BE CHANGED TO SLIDING PATIO OR SWINGING DOOR.
- BATHROOM CAN BE CHANGED TO INCLUDE TUB OR SHOWER
- SIDE PORCH CAN BE FROM 12' TO 36' LONG
- SIDE PORCH CAN BE PLACED ON FRONT OR BACK
- END PORCH CAN BE ADDED ON GREAT ROOM
- SIDE PORCH CAN BE EXTENDED END PORCH



CEDAR CREEK BUILDERS
 ADDRESS: 1075 George Shaw RD
 Hopkinsville, KY 42240
 PHONE: 270-880-5453
 FAX: 270-880-9552
 EMAIL: czbprnter@abcmallbox.net

REV#	DATE	BY	ISSUED	SCALE	DATE	BY	CHECKED BY
A	08-23-23	JA		NTS	09/23/2023	ABCCO	M. Martin

CUSTOMER/PROJECT: CEDAR CREEK BUILDERS
 HOPKINSVILLE, KENTUCKY

FILE: CCB-Baltimore
 SQ.FT.: AS SHOWN
 STATE: KY
 TYPE: Tiny Home
 MODEL: BALTIMORE
 DRAWING: 1ST STORY FLOOR PLAN
 SHEET: 4